

Classic Dining Room Table Assembly Instructions



Small and Medium Dining Room Table
Pages 2



Large Dining Room Table
Pages 3



THIS END UP FURNITURE CO.

P.O. Box 5410, Sanford, North Carolina 27331
(800) 605-2130 (919) 774-7474 Fax (919) 774-7430 www.thisendup.com

June 2015

Dining Room Table Assembly Instructions

Tools Needed

1-9/16" Wrench or Socket and Ratchet

1-Flat Head Screwdriver

Parts Included

A-Table Top (1)

B-Table Leg (2)

C-Center Board (1)

Hardware Kit

D-5" Lag Bolt (4)

E-Flat Washer (4)

F-4-1/2" Machine Bolt (4)

G-1/4" Flat Washer (4)

H-Wing Nut (4)



F



G



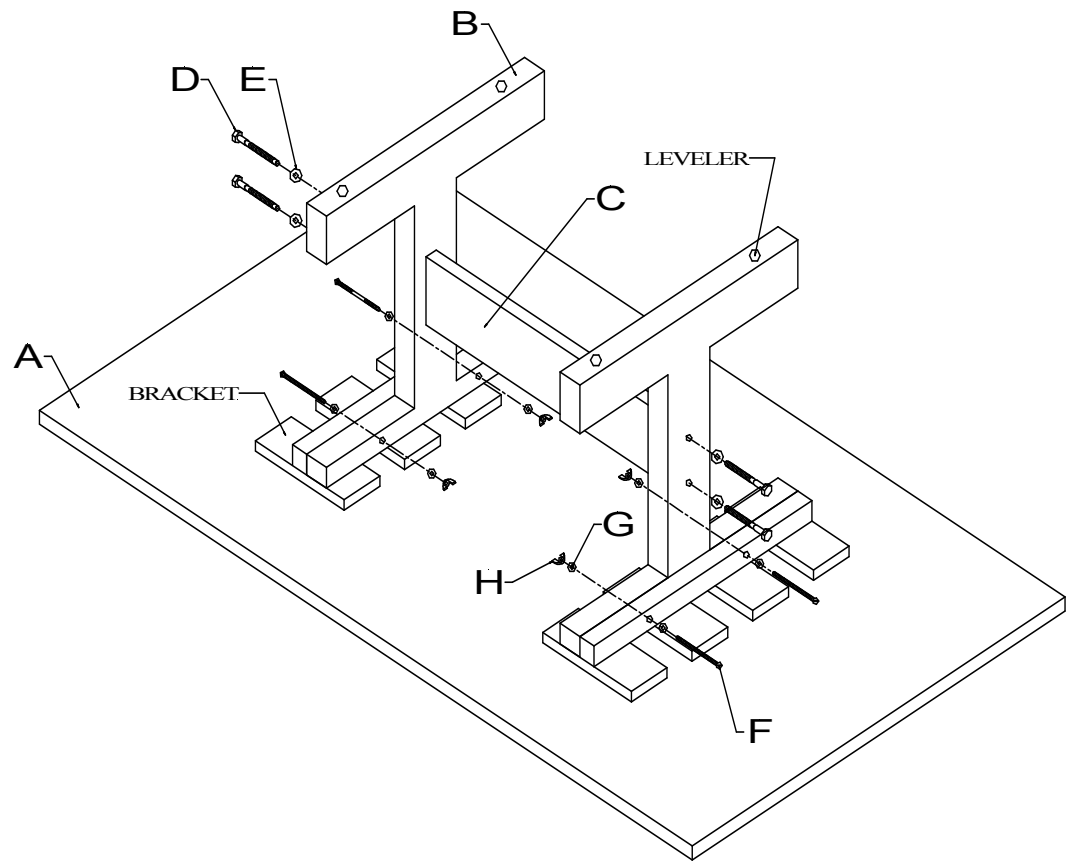
H



D



E



ASSEMBLY INSTRUCTIONS

1. Place table top (A) face down on floor.
2. To assemble base, attach legs (B) to centerboard (C) using (4) 5" lag bolts (D) and (4) washers (E). Do not tighten lag bolts completely.
3. Lower base upside down onto top (A).
4. Line up holes in base with holes in brackets on the underside of table top (A).
5. Attach using (4) machine bolts (F) with (8) washers (G) and (4) wing nuts (H). Make sure nuts are tight. ****NOTE: MAKE SURE UPPER CROSS-MEMBERS OF LEGS (B) ARE TIGHT AGAINST THE UNDERSIDE OF TOP (A).**
6. Fully tighten lag bolts (D).
7. Turn table into upright position. ****NOTE: IF TABLE ROCKS, THERE ARE LEVELERS ON THE BOTTOM OF THE BASE. THESE CAN BE UNSCREWED BY HAND TO LEVEL THE TABLE**



THIS END UP FURNITURE CO.

P.O. Box 5410 Sanford, North Carolina 27331

(800) 605-2130 (919) 774-7474 Fax (919) 774-7430 www.thisendup.com

June 2015

Dining Room Table Assembly Instructions

TOOLS NEEDED

- 1 - 9/16" SOCKET & RATCHET
- 1 - FLAT HEAD SCREWDRIVER
- 1 - PHILLIPS HEAD SCREWDRIVER

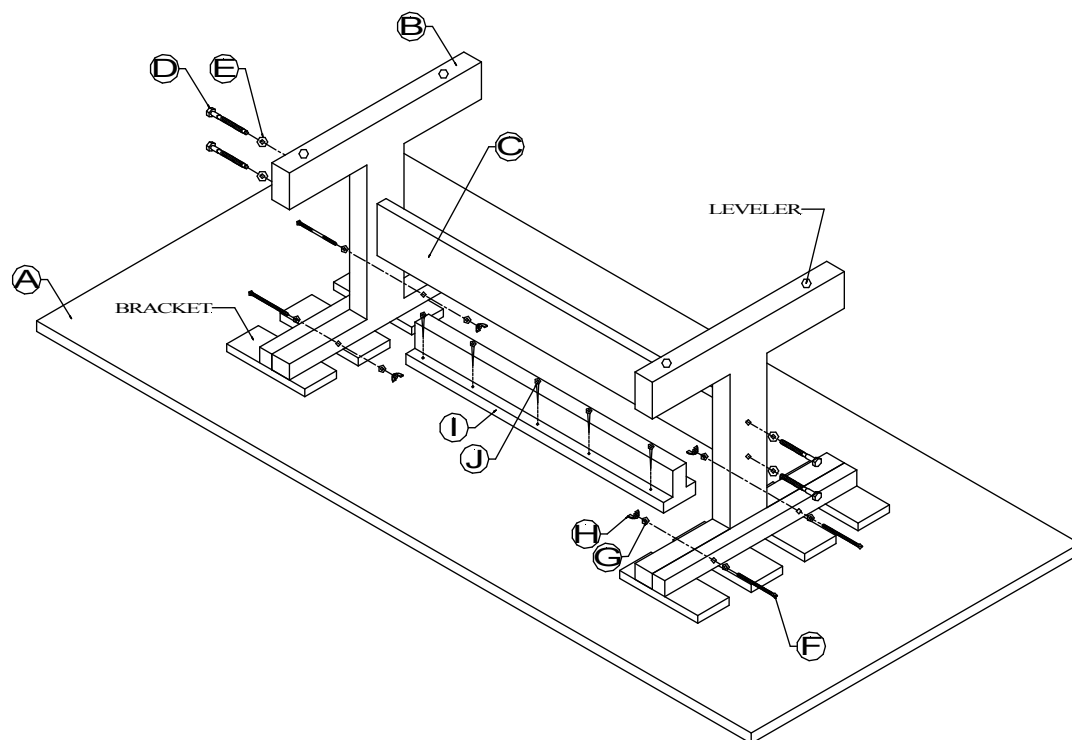
PARTS LIST

- A - TABLE TOP
- B - TABLE LEG
- C - CENTERBOARD
- D - 5" LAG BOLT (4)
- E - WASHER (4)
- F - 4-1/2" MACHINE BOLT (4)
- G - 1/4" WASHER (8)
- H - WING NUT (4)
- I - TABLE BRACE(1)
- J - 1-1/2" SCREW (10)

ASSEMBLY INSTRUCTIONS

1. Place table top (A) face down on floor.
2. To assemble base, attach legs (B) to centerboard (C) using (4) 5" lag bolts (D) and (4) washers (E). Do not tighten lag bolts completely.
3. Lower base upside down onto top (A).
4. Line up holes in base with holes in brackets on the underside of table top (A).
5. Attach using (4) machine bolts (F) with (8) washers (G) and (4) wing nuts (H). Make sure nuts are tight. **NOTE: MAKE SURE UPPER CROSSMEMBERS OF LEGS (B) ARE TIGHT AGAINST THE UNDERSIDE OF TOP (A).
6. Fully tighten lag bolts (D).
7. Attach Table Brace (I) between legs with (10) screws (J) to underside of top.
8. Turn table into upright position. **NOTE: IF TABLE ROCKS, THERE ARE LEVELERS ON THE BOTTOM OF THE BASE. THESE CAN BE UNSCREWED BY HAND TO LEVEL THE TABLE.

Large Dining Room Table



THIS END UP FURNITURE CO.

P.O. Box 5410 Sanford, North Carolina 27331

(800) 605-2130 (919) 774-7474 Fax (919) 774-7430 www.thisendup.com

June 2015