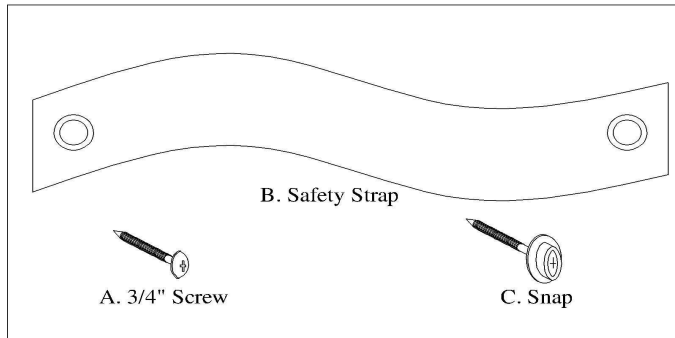


GUARDRAIL SAFETY STRAP ASSEMBLY

PARTS



GUARDRAIL STRAP HARDWARE

- A. (4) 3/4" Screws
- B. (4) Safety Straps
- C. (4) Snaps

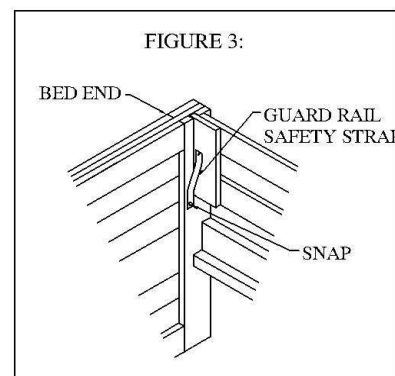
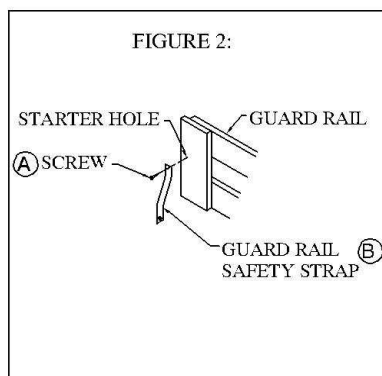
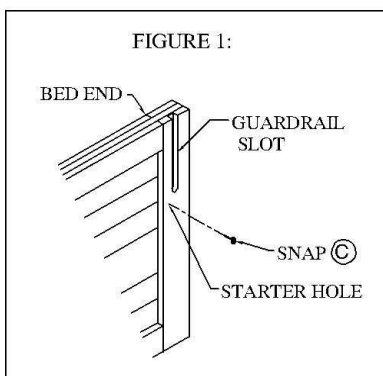
TOOLS REQUIRED

Phillips Head Screw Driver

ASSEMBLY

To ensure the Guardrail Safety Straps are properly installed, follow these instructions .

1. Find four 1/16" pre-drilled starter holes on the inside of each upper bed end under the guard rail slot and screw snaps (C) into each of these holes. **See Figure 1.**
2. Add bunkie board (foundation) and standard twin mattress on top of slats on upper bunk.
3. Attach strap (B) to each end of the guardrail by inserting screw (A) through the grommet hole in strap and into 1/16" starter hole on inside of guard rail at each end. **See Figure 2.** Repeat this step for the second guard rail.
4. Insert guardrails in guardrail slots in top ends and connect straps to snaps on bed ends. **See Figure 3.**



! WARNING: Failure to follow the Safety Guidelines on the Bunk Bed Label or to use the Guardrail Safety Straps could result in serious injury to a child. For added safety, always ensure straps are snapped to Bed Ends when Guardrails are in use. If you have problems in assembly of the Guardrail Straps, please call Customer Service at (800) 605-2130 (9 am to 5 pm Mon-Fri).

This End Up Furniture Company • P O Box 5410 • Sanford • NC • 27331
(800) 605-2130