

# Platform Bed w/Drawers Full/Queen

## Instructions for Platform Bed with Drawers

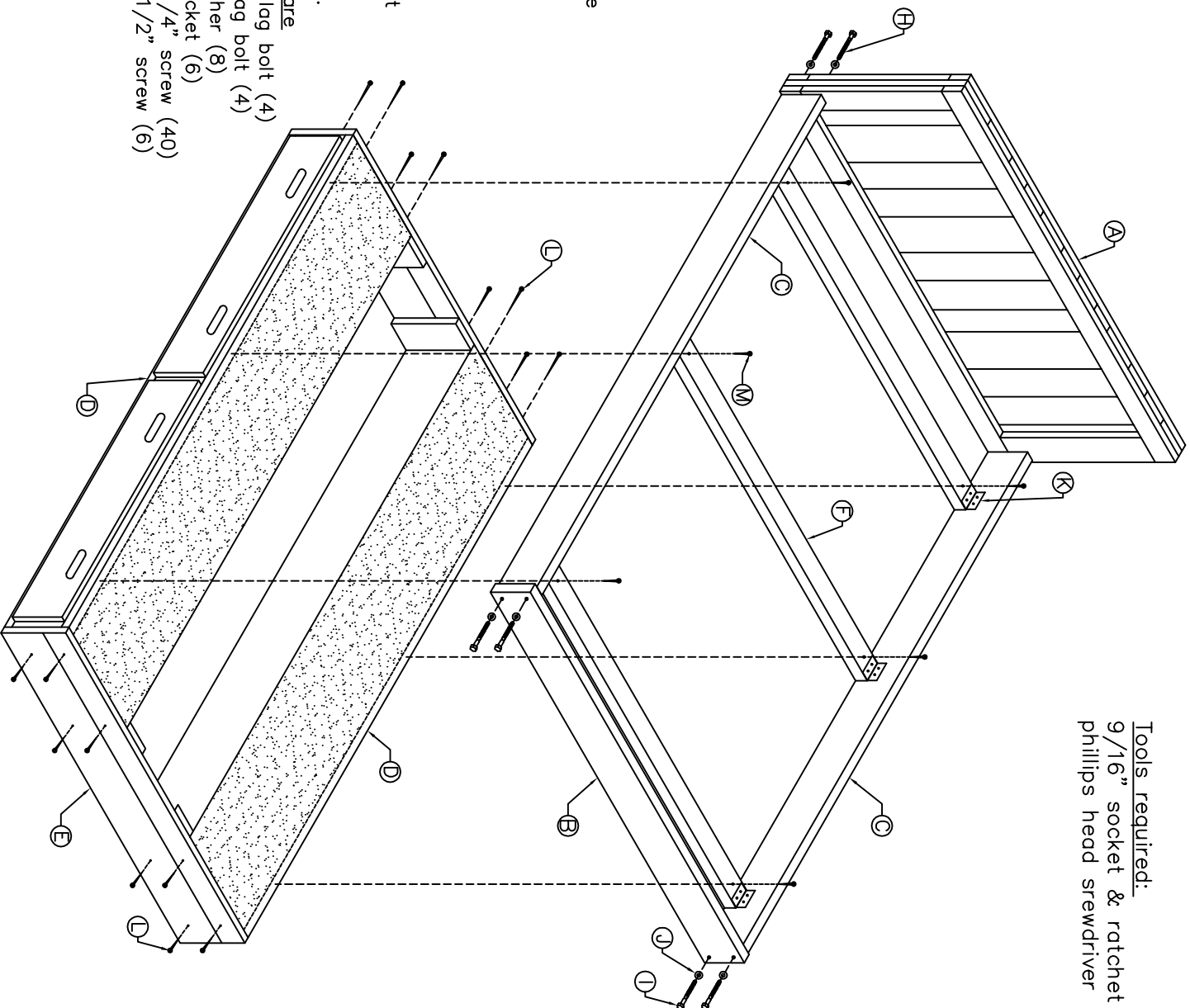
1. Set headboard (A) upright on floor and attach both side rails (C) to it using (4) 5" lag bolts (H) and (4) washers (J). Do not tighten bolts completely.
2. Slide (4) washers over (4) 4" lag bolts (I) and attach foot rail (B) to side rails. Do not tighten bolts completely.
3. Lay (3) slats (F) inside of side rails 8" in from each end of side rails and one in the center.
4. With the bottoms of slats flush with the bottoms of side rails, attach (6) brackets (K) to (3) slats and then to side rails using (24) 1-1/4" screws (L).
5. Now tighten all (8) lag bolts.
6. Turn platform up on its side.
7. Lay out (2) bunk drawer units (D) parallel on floor.
8. Spread drawer units so that ends of base end panel (E) are flush with front corners of drawer units.
9. Attach (2) base end panels to drawer units using (16) 1-1/4" screws (L).
10. Lay platform down across base so that the headboard overhangs the base assembly. The face of the headboard should be flush with outside edge of base end panel.
11. Center platform on base assembly so that the side rails overhang the platform evenly on both sides. Attach the platform to the bunk drawers using (6) 2-1/2" screws (M) inserted into holes provided in slats. Holes should line up with top front rail of each bunk drawer unit on each side.
12. Lay in (2) bed boards side by side on top of slats then place mattress on top of boards.

### Parts list

- A. Headboard (1)
- B. Footboard (1)
- C. Side rail (2)
- D. Bunk Drawer Unit (2)
- E. Base End for Bunk Drawer Unit (2)
- F. Slat (3)
- G. Platform bedboard (2) (not shown)

### Hardware

- H. 5" lag bolt (4)
- I. 4" lag bolt (4)
- J. washer (8)
- K. bracket (6)
- L. 1-1/4" screw (40)
- M. 2-1/2" screw (6)



Tools required:  
 9/16" socket & ratchet  
 philips head screwdriver