

TWIN/FULL METAL BED WITH HEADBOARD ASSEMBLY INSTRUCTIONS

TOOLS NEEDED

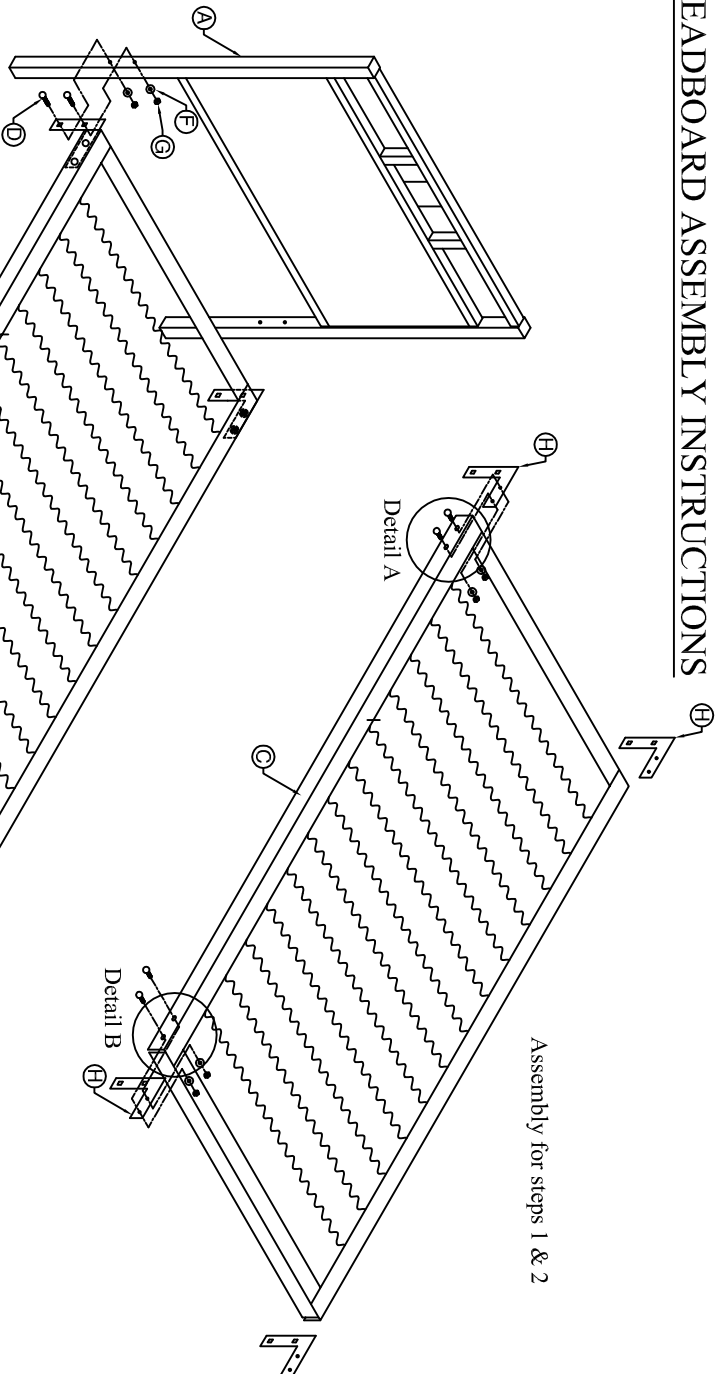
1 - 9/16" SOCKET & RATCHET

PARTS LIST

- A - HEADBOARD (1)
- B - FOOTBOARD (1)
- C - METAL BED FRAME (1)
- D - 2-1/2" CARRIAGE BOLT (8)
- E - 1" CARRIAGE BOLT (8)
- F - FLAT WASHER (16)
- G - LOCK NUT (16)
- H - LEG BRACKET (4)

ASSEMBLY INSTRUCTIONS

1. Attach (2) leg brackets(H) on the inside of metal bed frame(C) on one end of the frame for headboard as shown in drawing using (4) 1" carriage bolts(E), (4) flat washers(F) and (4) lock nuts(G). The brackets should have the square stamped holes extending out beyond the frame through the slots in the end as shown in Detail A. Finger tighten the lock nuts.
2. Attach (2) leg brackets(H) to the opposite end of metal bed frame(C) for footboard(B) as shown in drawing using (4) 1" carriage bolts(E), (4) flat washers(F) and (4) lock nuts(G). The brackets should be turned so that the leg of the bracket with the square stamped holes hangs down and sits back under the bed frame as shown in Detail B. Finger tighten the lock nuts.
3. Attach footboard(B) to brackets using (4) 2-1/2" carriage bolts(D), (4) flat washers(F) and (4) lock nuts(G). Finger tighten the lock nuts.
4. Attach headboard(A) to brackets using (4) 2-1/2" carriage bolts (D), (4) flat washers(F) and (4) lock nuts(G). Finger tighten the lock nuts.
5. Place assembled frame on its feet making sure all feet are touching the floor.
6. Tighten all lock nuts with socket and ratchet.



Assembly for steps 3 & 4

Detail A

Detail B