

Figure 1

Figure 2
Twin, Double, Queen, or King
Bed Siderail or Footboard

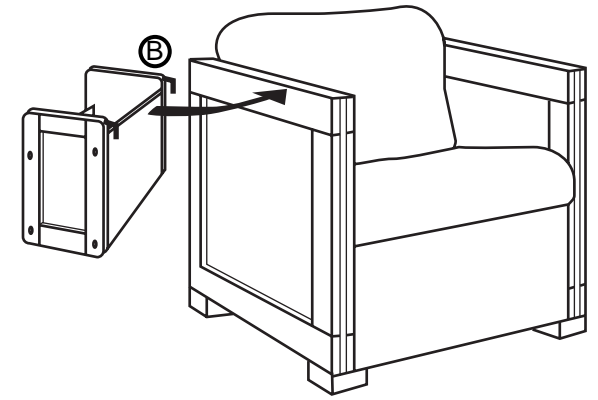
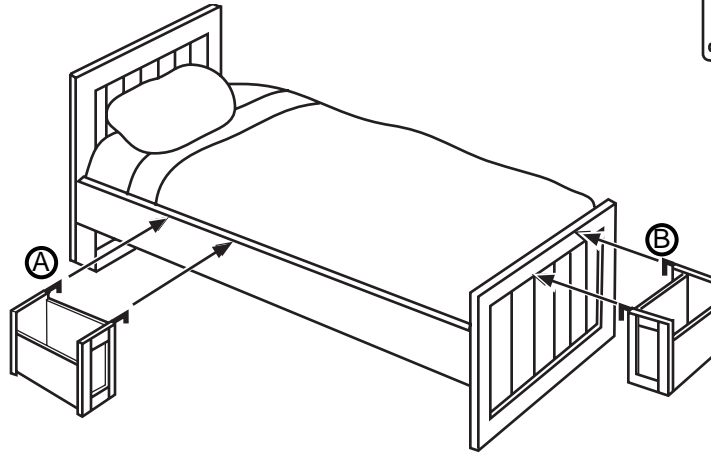
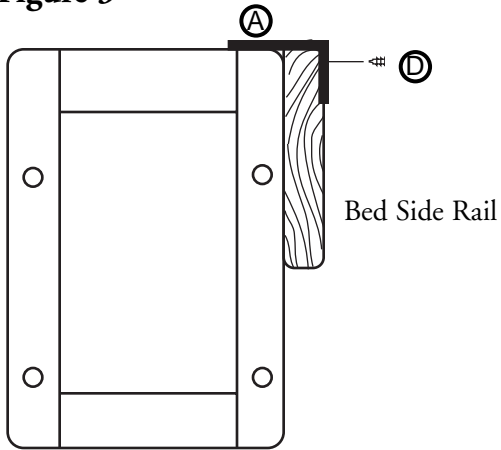


Figure 4
Chair, Loveseat, or Sofa Arm
or Back

Figure 3



Bed Side Rail

Parts List

- A. 1 1/2" Plastic Coated Hooks for Siderails (2)
- B. 2 3/8" Plastic Coated Hooks for Chair and Footboard (2)
- C. #8 x 1 1/4" Woodscrews (4)
- D. #6 x 3/4" Woodscrews (2)

IMPORTANT

- Always use four screws when attaching hooks to Sidecar.
- Do not attach to bunk bed guardrail or to top bunk.
- When attached to other furniture, the top of the Sidecar must be no greater than 30" from the floor.
- Do not stand or hang on Sidecar once attached to other furniture.

To Attach Hooks to Sidecar

First determine where you will be hanging your Sidecar. Locate the two plastic coated hooks that fit the application. To hang on a 1 1/2" board, use Hook A. For a 2 1/4" board, use Hook B. Attach either Hook A or B to Sidecar with two woodscrews C. Repeat for a second hook. (See Figure 1.)

To Attach Sidecar to Furniture

Using two woodscrews (D), secure Sidecar to other furniture. (See Figure 3.)



Sidecar

ASSEMBLY INSTRUCTIONS

Tools Required

Screwdriver