

# TWIN METAL BED ASSEMBLY INSTRUCTIONS

## TOOLS NEEDED

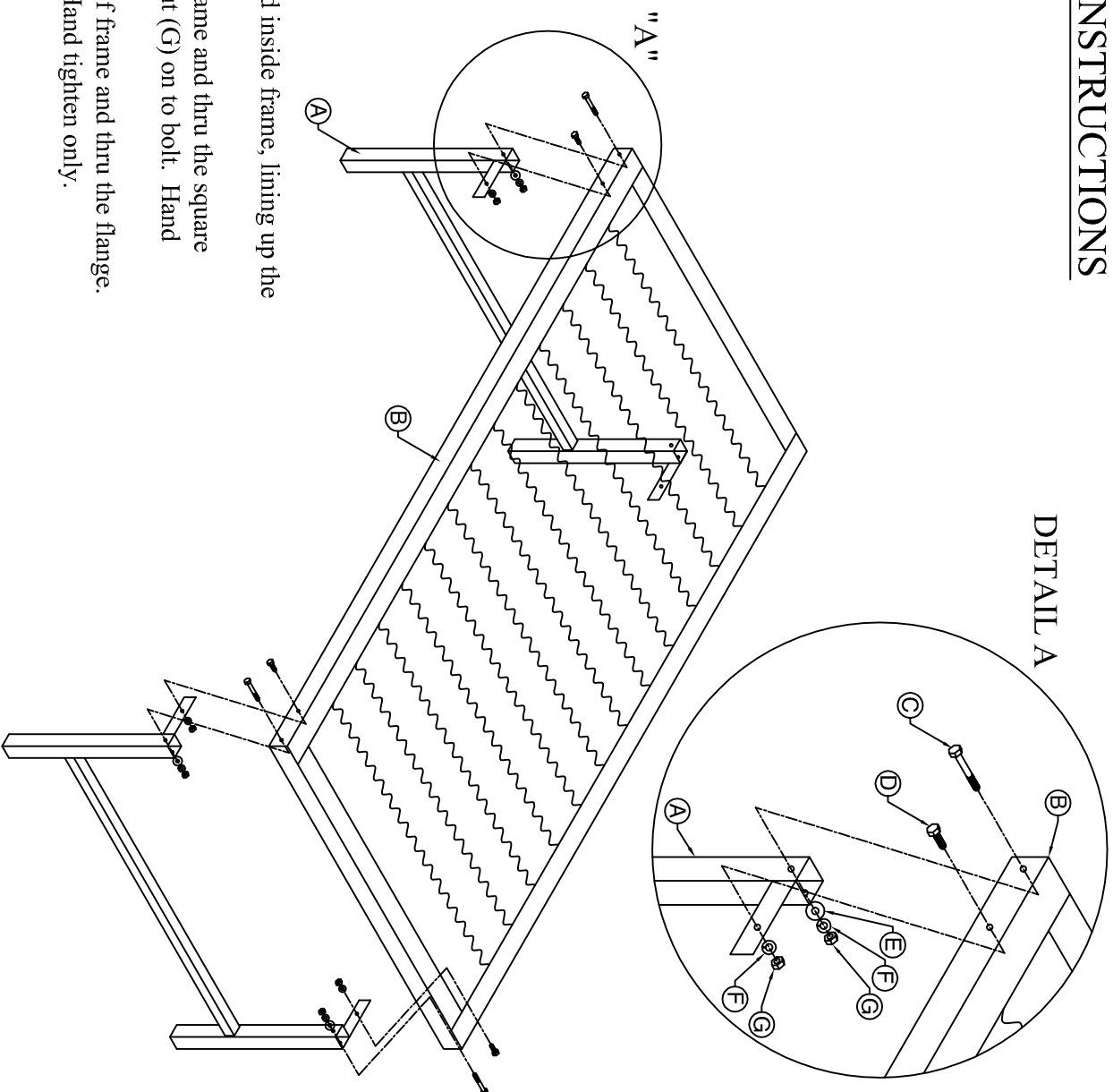
2 - 9/16" SOCKET & RATCHET

## PARTS LIST

- A - BED END ASSEMBLY (2)
- B - TWIN METAL BED FRAME (1)
- C - 2-1/2" HEX HEAD BOLT (4)
- D - 1" HEX HEAD BOLT (4)
- E - FLAT WASHER (4)
- F - LOCK WASHER (8)
- G - LOCK NUT (8)

## ASSEMBLY INSTRUCTIONS

1. Stand bed frame up on its side and place one bed end inside frame, lining up the bolt holes on each side.
2. Slide one bolt (C) thru the last hole on the side of frame and thru the square post. Place washer (E), lock washer (F) and lock nut (G) on to bolt. Hand tighten only.
3. Slide one bolt (D) thru the second hole on the side of frame and thru the flange. Place lock washer (F) and lock nut (G) on to bolt. Hand tighten only.
4. Repeat for other side.
5. Repeat steps 2 thru 4 at opposite end of frame.
6. Place assembled frame on its feet making sure all feet are touching the floor before tightening.
7. Tighten all bolts. Do not overtighten 2-1/2" bolt. This may result in crushing the post.



**THIS END UP FURNITURE CO.**  
P.O. Box 5410 Sanford, North Carolina 27331  
(800) 605-2130 (919) 774-7474 Fax (919) 774-7430 www.thisendup.com